

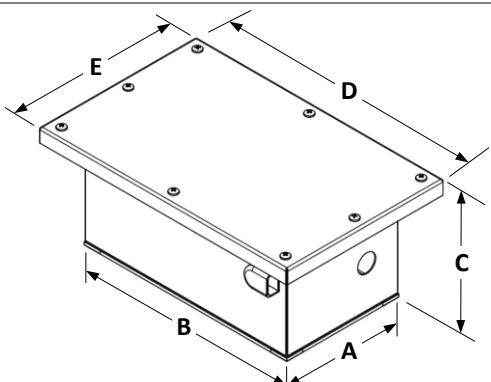
Description

Rain Hood (RH) protects actuators installed on dampers against rain in outdoor installations.



RH5

Technical Specifications

Description	RH5
Actuator Compatibility	All Neptronic D, B, and S series actuators installed on dampers and mounted on flat surfaces
Material	304 stainless steel
Access	Removable top panel
Ingress Protection	IP 54 equivalent to NEMA Type 3
Dimensions A = 5.25" 134 mm B = 9.5" 242 mm C = 4.63" 117 mm D = 11.63" 295 mm E = 7.38" 187 mm	

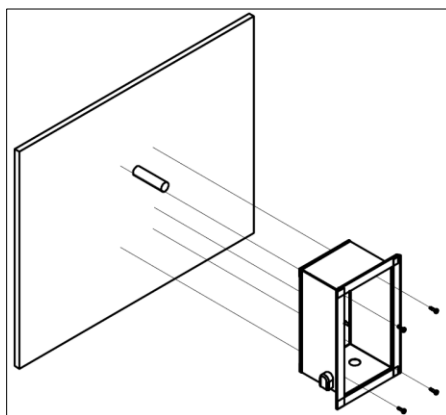


CAUTION: Rain Hood does not protect the actuators in corrosive and saline environments.

Mounting Instructions

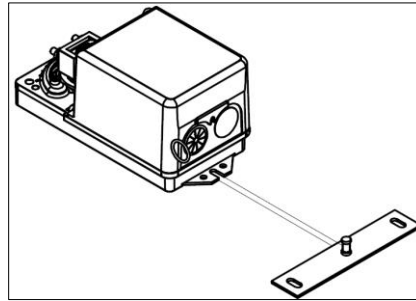
The RH5 can be mounted either vertically or horizontally.

1. Remove the casing cover and mount the protection casing onto the wall using self-tapping screws. Ensure that there is no gap between the gaskets at the bottom of the casing and the wall.

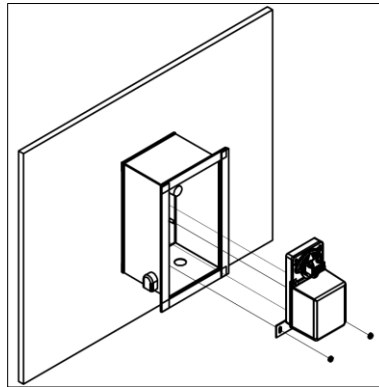




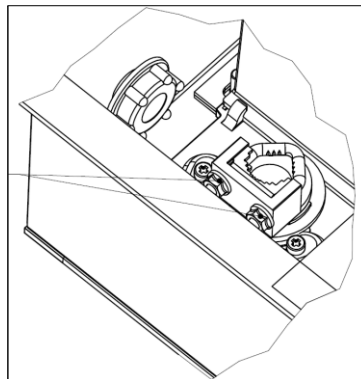
2. Attach the strap to the actuator using the pin.



3. Mount the actuator onto the shaft located inside of the casing. Tighten the nuts with the washers onto the strap.



4. Tighten the adaptor screws so that the actuator grips the shaft firmly. Wire the actuator according to the local electrical code. Ensure that UL listed electrical fittings for NEMA type 3 conditions are used for the hole provided.



5. Replace the cover onto the casing and tighten the screws. Ensure that the opening of the ventilation cup is always facing the ground. If the position of the ventilation cup is changed, ensure to tighten it firmly.

